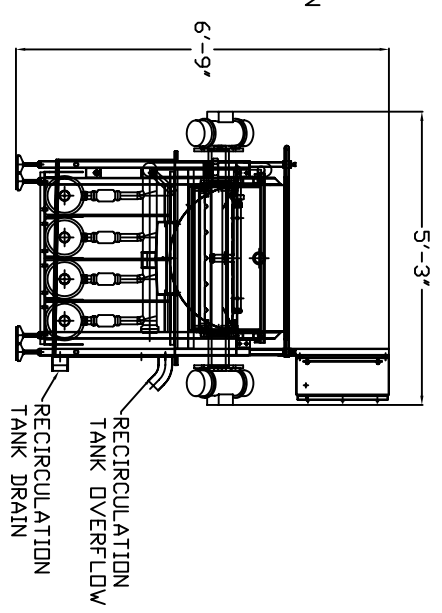
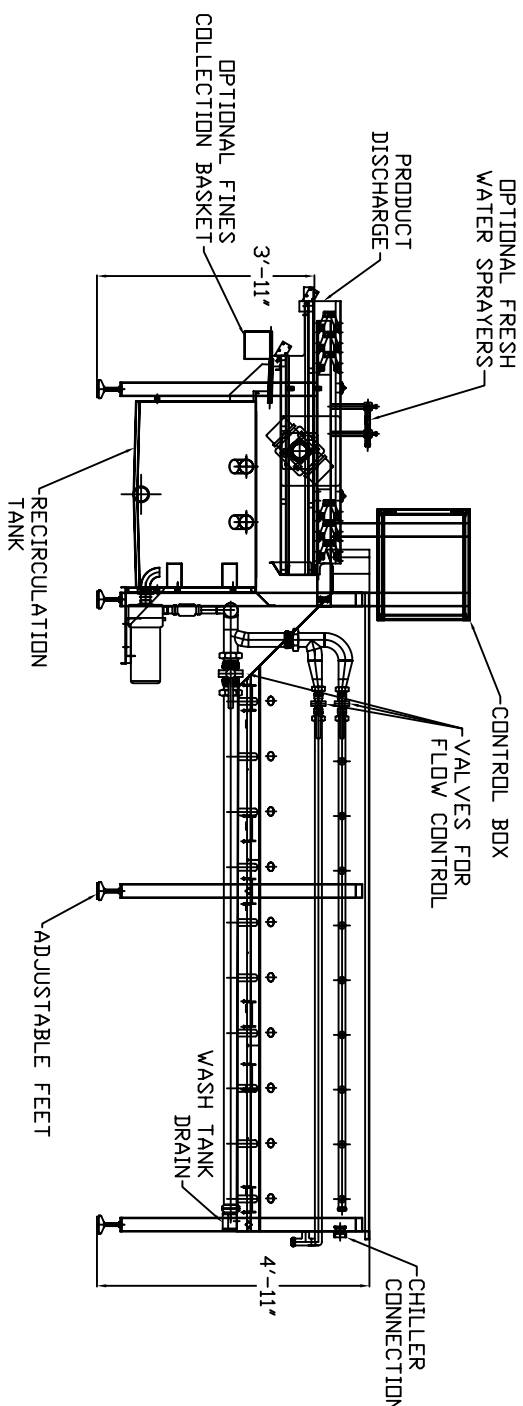


10 kW
 460V/230V/60 Hz/3 Ph
 20 / 40 AMPS
 400 GALLONS OF WATER



NOTE:
 DIMENSIONS ARE APPROXIMATE
 FEET ALLOW AN ADJUSTMENT
 OF ±1" IN HEIGHT

TOLERANCES	UNITS
Three Place Dimension	± .005
Two Place Dimension	± .010
Fractional Dimension	± 1/32
Angular Dimension	± 1/2°

REVISION	DATE	BY

NORTH STAR ENGINEERED PRODUCTS
 NSIEP
 726-2648
 FAX: (419) 726-5383

SCALE	DRAWN BY: JAK	REVISED
DATE: 7-16-04	APPROVED	ASSEMBLY NO.
HW5000 ASSEMBLY W/O INSECT REMOVAL SYSTEM		DRAWING NUMBER
MATERIAL:		

This print is confidential property of North Star Engineered Products. Any use, including reproduction, of this print without permission from North Star Engineered Products, is strictly prohibited.