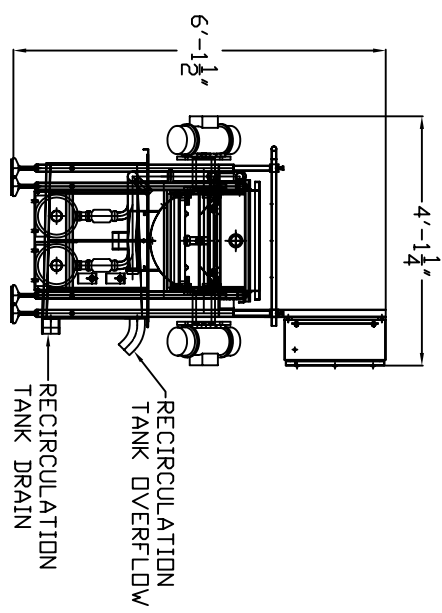
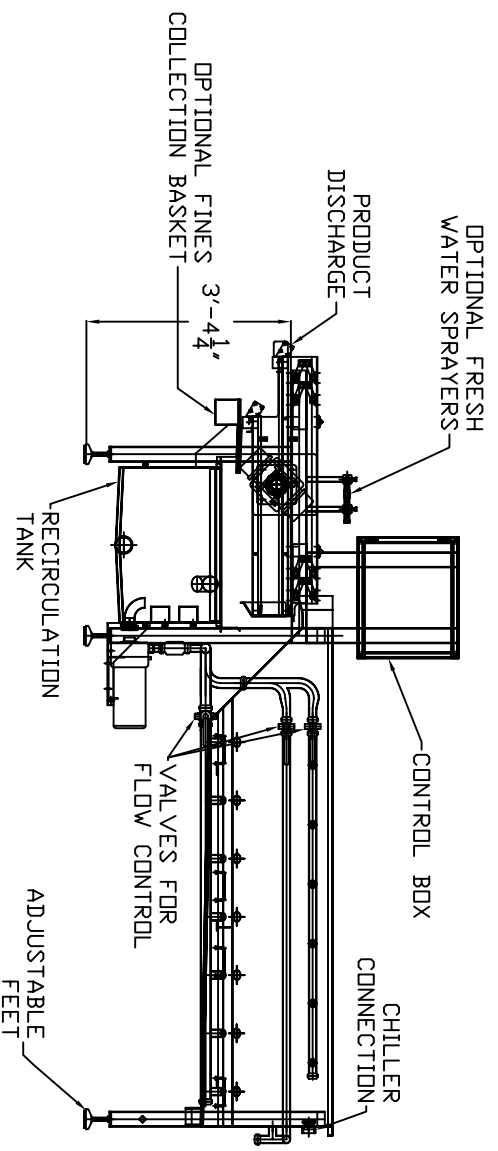


5 kW
 460V/230V/60 Hz/3 Ph
 15 / 30 AMPS
 230 GALLONS OF WATER



NOTE:
 DIMENSIONS ARE APPROXIMATE
 FEET ALLOW AN ADJUSTMENT
 OF ±1" IN HEIGHT

TOLERANCES:	ASSEMBLY	± .005
Three Piece Dimension	± .010	
Two Piece Dimension	± 1/32	
Proximal Dimension	± 1/2	
Angular Dimension		

REVISION	DATE	BY

NORTH STAR ENGINEERED PRODUCTS
 NORTH STAR ENGINEERING, INC.
 10000 W. 10th Street, Suite 100, Denver, CO 80231
 PH: (419) 726-2645
 FAX: (419) 726-5583

SCALE:	DRAWN BY: JAK	REVISED:
DATE: 6-22-04	APPROVED:	ASSEMBLY NO.
MATERIAL: HW3800 ASSEMBLY		DRAWING NUMBER:

This print is confidential property of North Star Engineered Products. Any use, including reproduction, of this print without permission from North Star Engineered Products, is strictly prohibited.