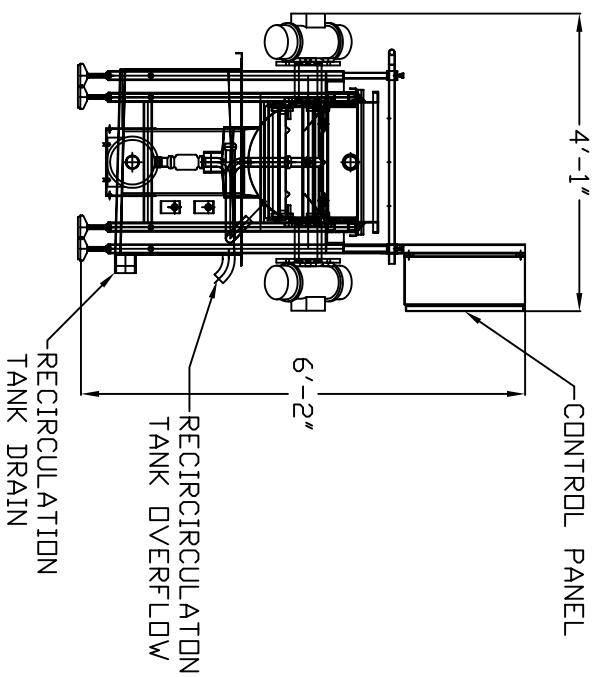
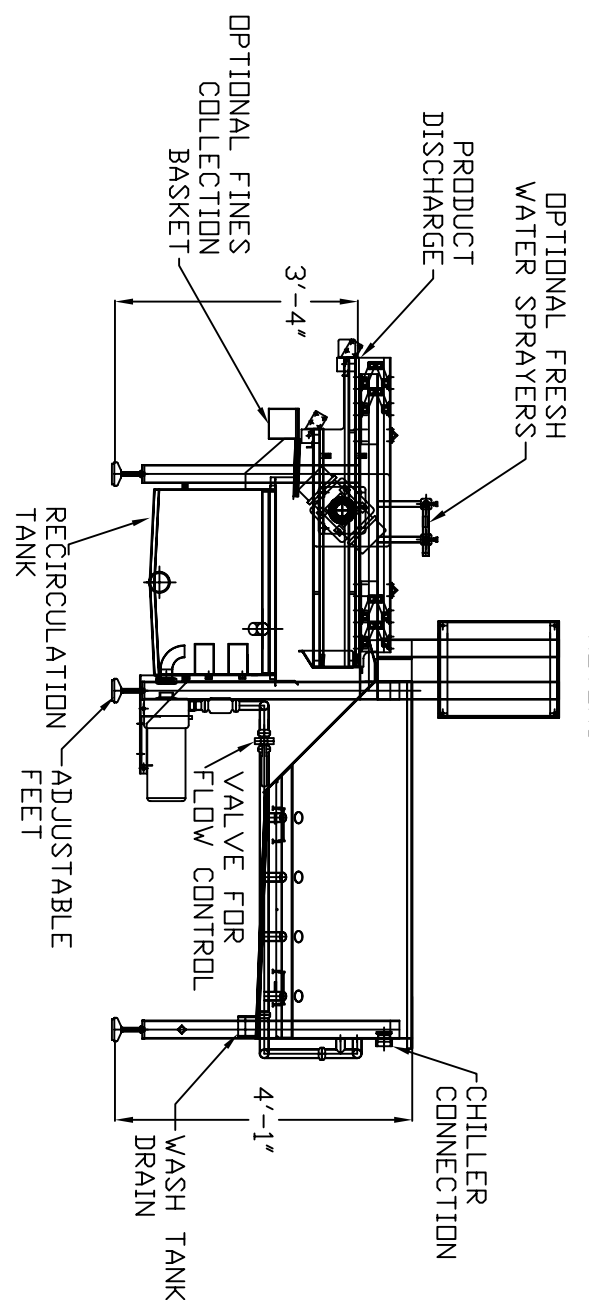


3 kW  
 460V/230V/60 Hz/3 Ph  
 10 / 20 AMPS  
 135 GALLONS OF WATER



NOTE:  
 DIMENSIONS ARE APPROXIMATE  
 FEET ALLOW AN ADJUSTMENT OF  
 ±1" IN HEIGHT

TOLERANCES	AS PER IT-2000
Three Place Dimension	± .005
Two Place Dimension	± .010
Fractional Dimension	± 1/32
Angular Dimension	± 1/2°

REVISION	DATE	BY

**NORTH STAR ENGINEERED PRODUCTS**  
 DRAWN BY: JAK  
 DATE: 7-28-04  
 SCALE: 1"=1'-0"

**NORTH STAR ENGINEERED PRODUCTS**  
 HW/2600 ASSEMBLY  
 DRAWING NUMBER: HW/2600-29

REVISED ASSEMBLY NO.  
 DATE: 7-28-04  
 APPROVED: HW/2600 ASSEMBLY

This print is confidential property of North Star Engineered Products. Any use, including reproduction, of this print without permission from North Star Engineered Products, is strictly prohibited.